

SANITARY SMS CONNECTION TANK WELDABLE SIGHT GLASS

Douglass

See more, see better



WELD TO TANK SIGHT GLASS

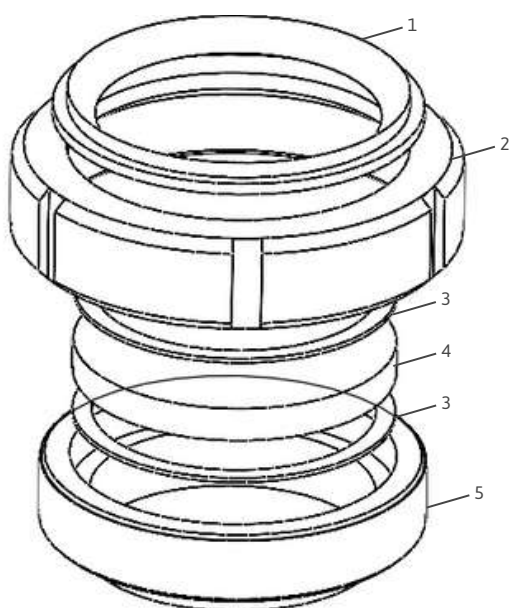
SANITARY SMS CONNECTION

The Douglass Weldable Tank Sight Glass with SMS (Sanitary Mechanical Seal) Connection is an advanced sight glass designed for seamless integration into tanks where cleanliness and durability are paramount. Engineered for industries demanding high standards of hygiene, this sight glass provides clear visibility of the tank's interior, ensuring precise monitoring of processes and fluid levels.



Key Features:

- 1. Weldable Design:** The Douglass sight glass is permanently welded to the tank, ensuring a secure and hygienic installation. This eliminates potential contamination points, making it ideal for environments where cleanliness is crucial.
- 2. Sanitary Mechanical Seal (SMS) Connection:** The SMS connection allows for easy assembly and disassembly, ensuring a leak-proof and sanitary seal. It simplifies maintenance and cleaning, meeting stringent sanitary standards.
- 3. Premium Materials:** Constructed from high-grade stainless steel (304 or 316) and durable glass materials like borosilicate or quartz, the Douglass sight glass offers excellent resistance to corrosion, thermal shock, and chemical exposure.
- 4. Enhanced Visibility:** Provides full visibility into the tank's interior, allowing operators to monitor processes effectively without compromising the sanitary conditions.

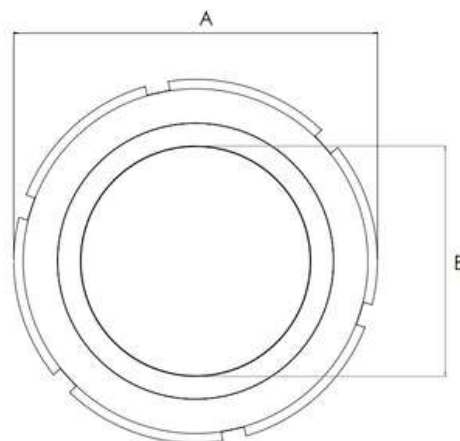


Parts and Materials:

Item	Part name	Material options
1	Support	<ul style="list-style-type: none"> Stainless Steel 316L Stainless Steel 304
2	Cover Flange	<ul style="list-style-type: none"> Stainless Steel 316L Stainless Steel 304
3	Gasket (max temp)	<ul style="list-style-type: none"> Buna Neoprene Teflon Sanitary Rubber EPDM Viton
4	Sight Glass (max temp)	<ul style="list-style-type: none"> DIN7080 Tempered Borosilicate DIN8902 Tempered Soda Lime Polycarbonate Quartz
5	Base	<ul style="list-style-type: none"> Stainless Steel 316L Stainless Steel 304

TANK WELDABLE SIGHT GLASS

SANITARY SMS CONNECTION



TECHNICAL INFORMATION		
ID	A (Total Diam)	B (Visible Diam)
1"	51.00 mm	22.50 mm
1.5"	74.00 mm	35.50 mm
2"	84.00 mm	48.50 mm
2.5"	100.00 mm	60.50 mm
3"	114.00 mm	72.00 mm
4"	154.00 mm	97.60 mm

TECHNICAL INFORMATION		
ID	A (Total Diam)	B (Visible Diam)
1"	51.00 mm	22.50 mm
1.5"	74.00 mm	35.50 mm
2"	84.00 mm	48.50 mm
2.5"	100.00 mm	60.50 mm
3"	114.00 mm	72.00 mm
4"	154.00 mm	97.60 mm

DON'TS

- DON'T overtighten the bolts or clamps as this can stress and crack the sight glass or body.
- DON'T use abrasive cleaning agents or tools that could scratch or damage the sight glass.
- DON'T use with Incompatible Fluids.
- DON'T ignore leaks; address them immediately to prevent system contamination or damage.
- DON'T subject the sight flow indicator to pressures beyond its rated capacity.
- DON'T use any installation methods or operational practices that are not recommended by the manufacturer.
- DON'T expose the sight flow indicator to rapid temperature changes, which can cause thermal shock and damage the glass.
- DON'T neglect regular maintenance, as this is crucial for the longevity and reliability of the sight flow indicator.

DO'S

- DO periodically inspect the sight flow indicator for any signs of wear, damage, or leaks.
- DO keep the sight flow indicator clean to ensure visibility and proper operation. Use appropriate cleaning agents that are compatible with the materials of the indicator.
- DO immediately replace any damaged or worn components to maintain the integrity of the system.
- DO use adequate supports and clamps to secure the sight flow indicator and prevent vibration or movement.

Maintenance

- Regularly check ZIGHT glass for clouding, scratching, erosion, or corrosion. Inspect daily to establish a routine replacement schedule.

Cleaning

- Use non-abrasive cleaners for ZIGHT glass. If needed, use diluted hydrochloric acid, but avoid wire brushes or abrasive materials.

Inspection

- Examine the glass for scratches, corrosion, chips, cracks, or flaws with bright, angled light. Replace glass that is cloudy, roughened, or doesn't clean well.

Storing

- Keep ZIGHT gauge glass in its original packaging until ready to install.

Satisfaction Guarantee

